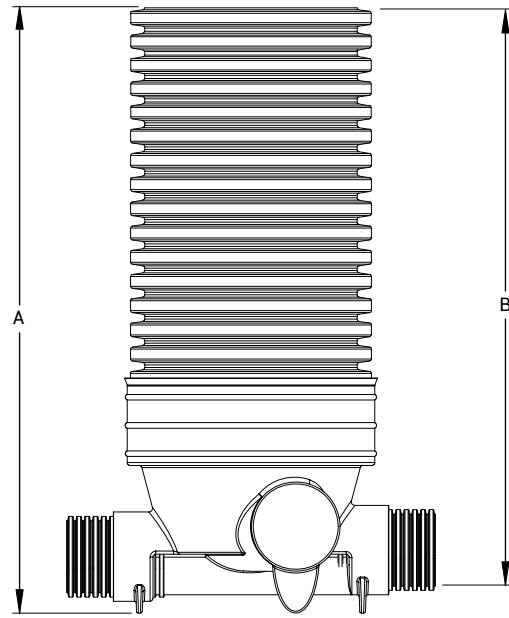
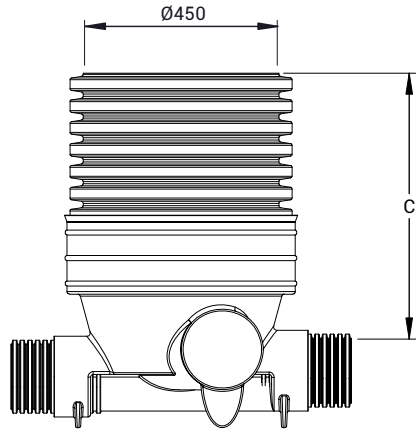
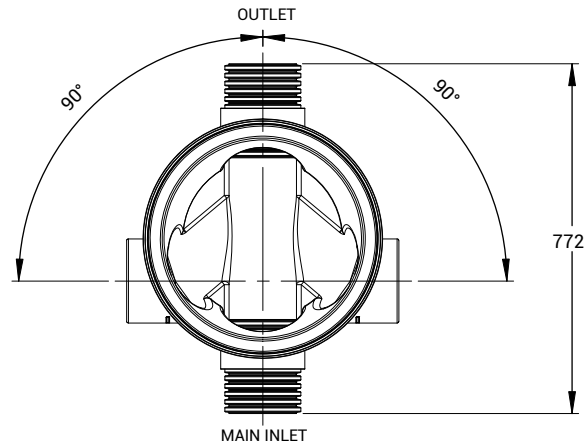
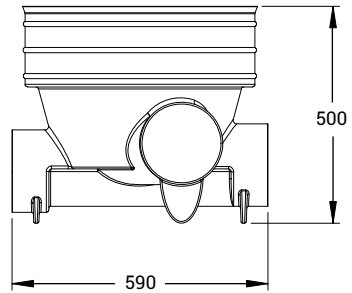


BASE ONLY



PRODUCT CODE	MAIN CHANNEL PIPEWORK Ø (mm)	OPTIONAL SIDE INLETS (mm)	OVERALL DEPTH A (mm)	DIMENSION B (mm)	DIMENSION C (mm)	APPROX. WEIGHT (kg)
AIC450150B (Base Only)	150 twinwall	2 x 150 twinwall	500	455	305	5
AIC450150B/1	150 twinwall	2 x 150 twinwall	1040	995	845	13.5
AIC450150B/1.5	150 twinwall	2 x 150 twinwall	1560	1515	1365	21.5
AIC450150B/2	150 twinwall	2 x 150 twinwall	2020	1979	1829	26
AIC450150B/2.4	150 twinwall	2 x 150 twinwall	2384	2339	2189	29.5

**RESTRICTION CAPS & DEBRIS COVERS**

NEW DESIGN & CONSTRUCTION GUIDANCE (DCG), HAS NOW EFFECTIVELY SUPERCEDED SFA7 (SEWERS FOR ADOPTION 7).

DCG STATES THAT ACCESS MUST BE RESTRICTED TO A MAXIMUM OF 350MM, ON ANY TYPE D OR E INSPECTION CHAMBER, DEEPER THAN 1000MM FROM COVER LEVEL TO SOFFIT OF PIPE.

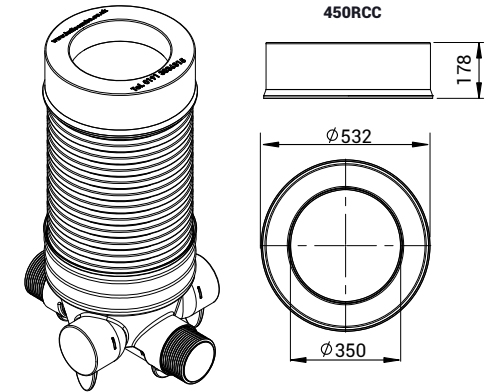
OUR 450RCC - RESTRICTION CAP IS DESIGNED TO FIT OVER THE ACCESS SHAFT AND PROVIDE A Ø350MM ACCESS.

ALTERNATIVELY CHAMBERS CAN BE SUPPLIED WITH EITHER OF THE TWO ACCESS COVERS - SQUARE SECTION 450ACSRA OR CIRCULAR 450ACCRA. BOTH FIT DIRECTLY INTO THE CHAMBER ACCESS SHAFT AND HAVE THE REQUIRED RESTRICTED ACCESS OF Ø350MM.

THE LOADINGS ON BOTH COVERS IS A15 RATED.

**RESTRICTION CAP**

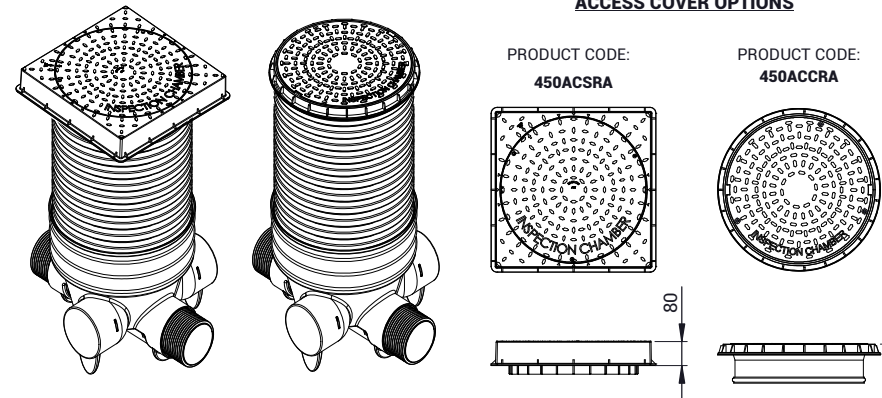
PRODUCT CODE:  
**450RCC**



**ACCESS COVER OPTIONS**

PRODUCT CODE:  
**450ACSRA**

PRODUCT CODE:  
**450ACCRA**



**PROPRIETARY & CONFIDENTIAL**

THE INFORMATION CONTAINED IN THIS DRAWING IS THE SOLE PROPERTY OF TURTLE ENVIRO DRAINNOVATION ANY REPRODUCTION IN PART OR AS A WHOLE WITHOUT THE WRITTEN PERMISSION OF TURTLE ENVIRO IS PROHIBITED.



**ACCESSO**  
Inspection chambers

DRAWN BY A.T	CONTRACT		
DRAWN DATE 06/07/2021	PRODUCT DESCRIPTION <b>BLUE RANGE - 450 SERIES</b>		
APPROVED BY D.A	PRODUCT/CODE <b>AIC450150B</b>		
APPROVED DATE 06/07/2021	SCALE:	SHEET/SIZE A3	REV: 1