

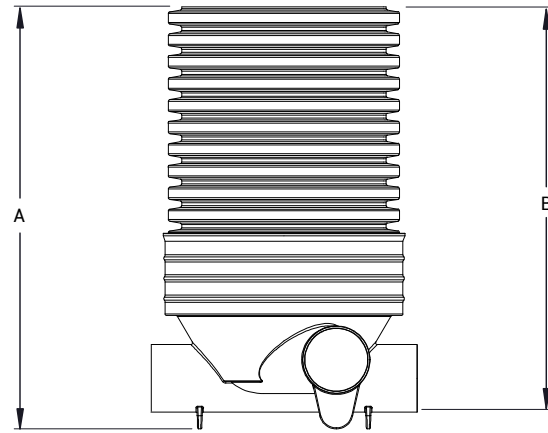
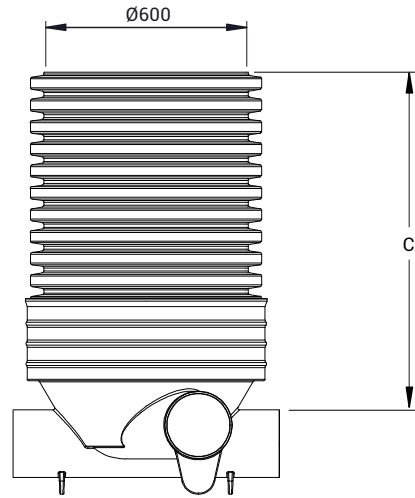
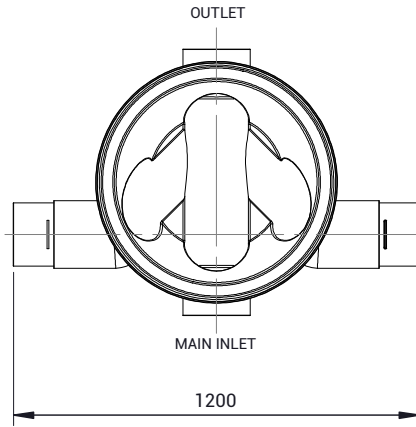
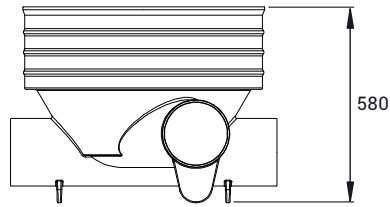
**RESTRICTION CAPS & DEBRIS COVERS**

NEW DESIGN & CONSTRUCTION GUIDANCE (DCG), HAS NOW EFFECTIVELY SUPERCEDED SFA7 (SEWERS FOR ADOPTION 7).

DCG STATES THAT ACCESS MUST BE RESTRICTED TO A MAXIMUM OF 350MM, ON ANY TYPE D OR E INSPECTION CHAMBER, DEEPER THAN 1000MM FROM COVER LEVEL TO SOFFIT OF PIPE.

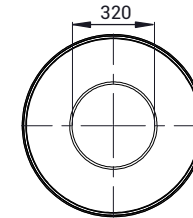
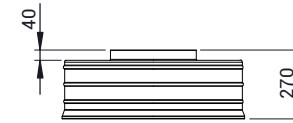
OUR 600RCC - RESTRICTION CAP IS DESIGNED TO FIT OVER THE ACCESS SHAFT AND PROVIDE A Ø320MM ACCESS. ALTERNATIVELY CHAMBERS CAN BE SUPPLIED WITH OUR REDUCTION CAP - 600450RC, AS DETAILED BELOW. THIS ACCOMMODATES EITHER OF THE TWO ACCESS COVERS - SQUARE SECTION 450ACSRA OR CIRCULAR 450ACCRA. BOTH HAVE THE REQUIRED RESTRICTED ACCESS TO Ø350MM AND THE LOADINGS ON BOTH COVERS IS A15 RATED.

**BASE ONLY**



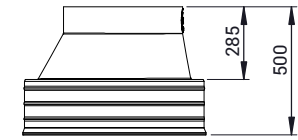
**RESTRICTION CAP**

PRODUCT CODE:  
**600RCC**

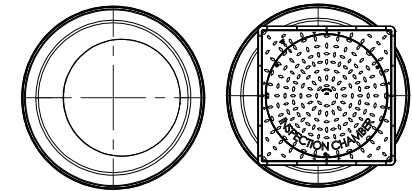


**REDUCTION CAP**

PRODUCT CODE:  
**600450RC**



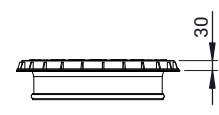
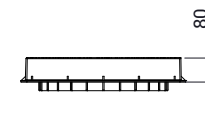
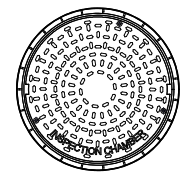
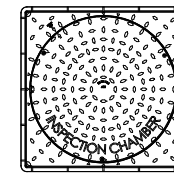
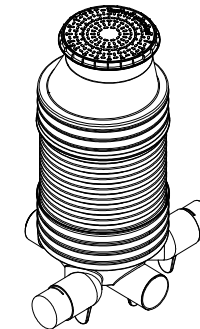
FOR USE WITH ACCESS COVERS



**ACCESS COVER OPTIONS**

PRODUCT CODE:  
**450ACSRA**

PRODUCT CODE:  
**450ACCRA**



PRODUCT CODE	MAIN CHANNEL PIPEWORK Ø (mm)	OPTIONAL SIDE INLETS (mm)	OVERALL DEPTH A (mm)	DIMENSION B (mm)	DIMENSION C (mm)	APPROX. WEIGHT (kg)
AIC600200B (Base Only)	200 spigot	2 x 150 twinwall	580	525	330	10
AIC600200B/1	200 spigot	2 x 150 twinwall	990	935	730	25
AIC600200B/1.5	200 spigot	2 x 150 twinwall	1510	1455	1250	34
AIC600200B/2	200 spigot	2 x 150 twinwall	1965	1910	1705	42
AIC600200B/2.4	200 spigot	2 x 150 twinwall	2355	2300	2095	49

**PROPRIETARY & CONFIDENTIAL**

THE INFORMATION CONTAINED IN THIS DRAWING IS THE SOLE PROPERTY OF TURTLE ENVIRO DRAINNOVATION ANY REPRODUCTION IN PART OR AS A WHOLE WITHOUT THE WRITTEN PERMISSION OF TURTLE ENVIRO IS PROHIBITED.



**ACCESSO**  
Inspection chambers

DRAWN BY A.T	CONTRACT
DRAWN DATE 01/07/2021	
APPROVED BY D.A	PRODUCT DESCRIPTION <b>ORANGE RANGE - 600 SERIES</b>
APPROVED DATE 01/07/2021	PRODUCT/CODE <b>AIC600200B</b>
SCALE:	SHEET/SIZE A3
REV:	1