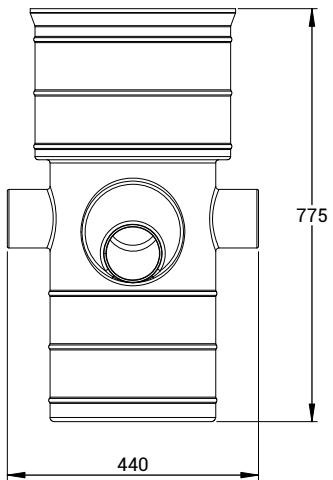


OUTLET

550

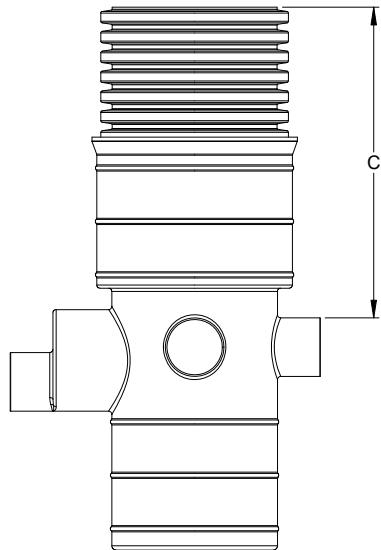
MAIN INLET

BASE ONLY

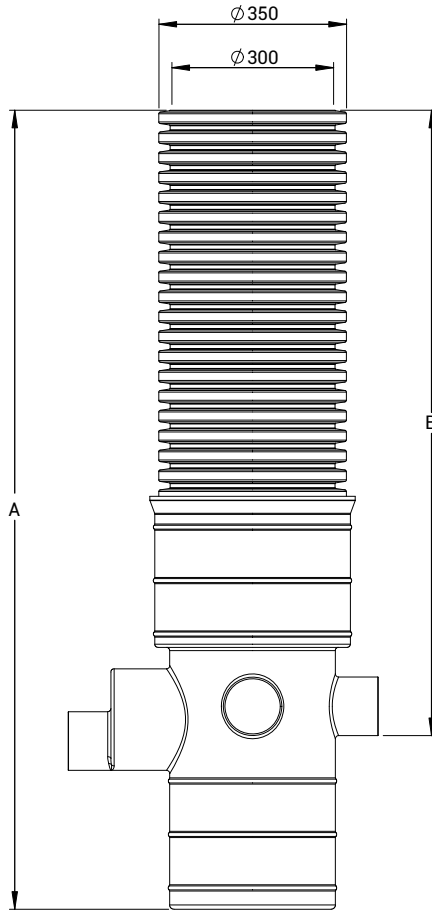


775

440



C



A

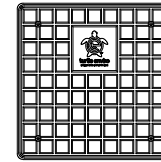
B

Ø 350

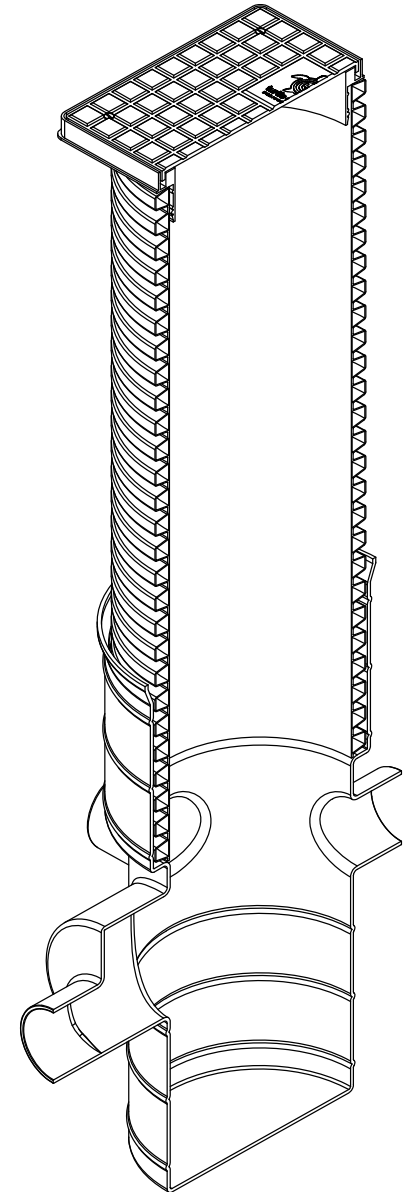
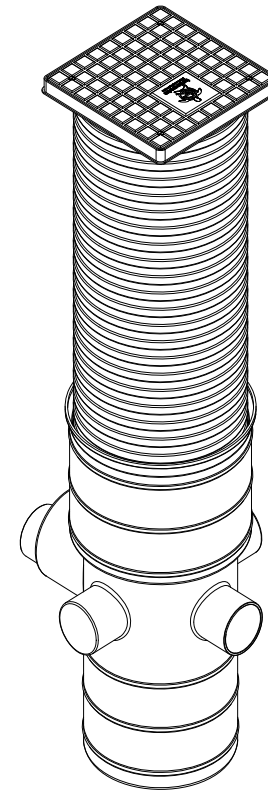
Ø 300

**ACCESS COVER**

PRODUCT CODE:  
ASD300AC



30



PRODUCT CODE	MAIN CHANNEL PIPEWORK Ø (mm)	OPTIONAL SIDE INLETS Ø (mm)	OVERALL DEPTH A (mm)	DIMENSION B (mm)	DIMENSION C (mm)	APPROX. WEIGHT (Kg)
AICCP300B (Base Only)	110 Optional Outlet: 150mm twinwall	110	775	445	340	3.5
AICCP300B/1	110 Optional Outlet: 150mm twinwall	110	1025	695	590	6.5
AICCP300B/1.5	110 Optional Outlet: 150mm twinwall	110	1475	1145	1040	11.5
AICCP300B/2	110 Optional Outlet: 150mm twinwall	110	1995	1665	1560	17

**PROPRIETARY & CONFIDENTIAL**

THE INFORMATION CONTAINED IN THIS DRAWING IS THE SOLE PROPERTY OF TURTLE ENVIRO DRAINNOVATION ANY REPRODUCTION IN PART OR AS A WHOLE WITHOUT THE WRITTEN PERMISSION OF TURTLE ENVIRO IS PROHIBITED.



turtle enviro

**ACCESSO**<sup>®</sup>  
catch-pit chambers

DRAWN BY A.T	CONTRACT	
DRAWN DATE 06/07/2021	PRODUCT DESCRIPTION <b>BLUE RANGE - 300 SERIES</b>	
APPROVED BY D.A	PRODUCT/CODE <b>AICCP300B</b>	
APPROVED DATE 06/07/2021	SCALE:	SHEET/SIZE A3 REV: 1