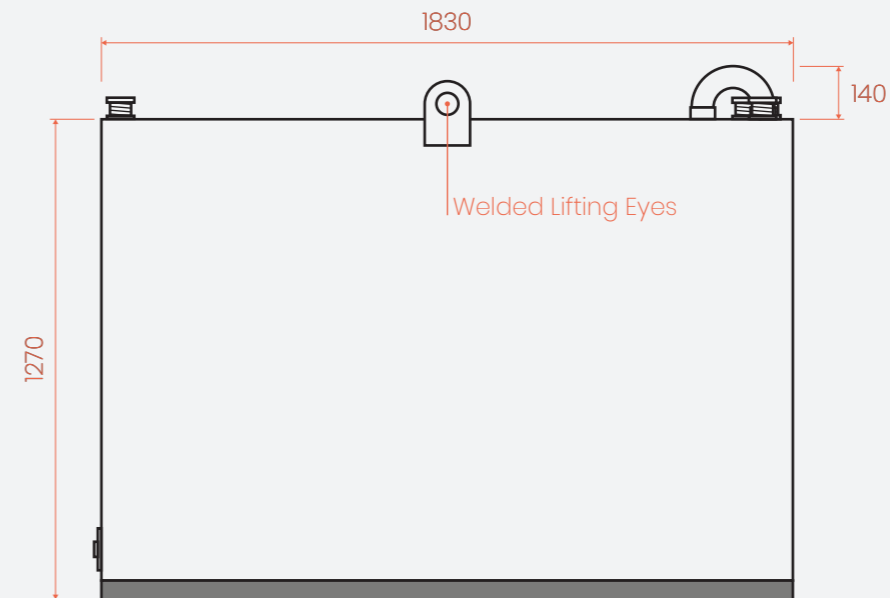
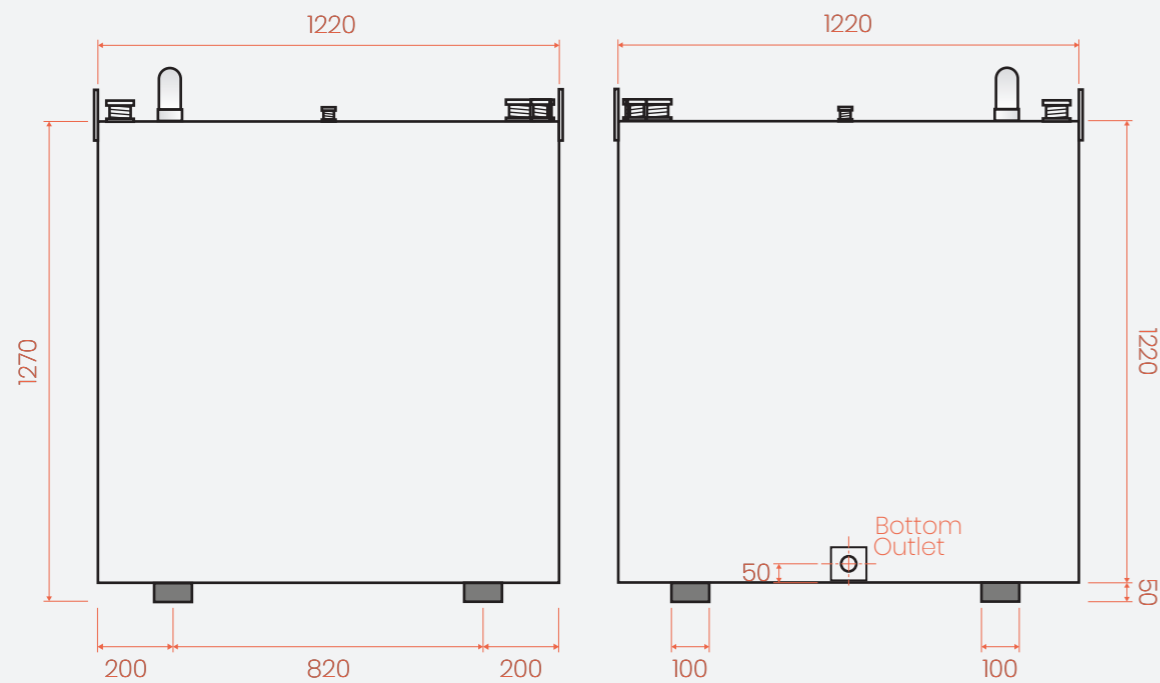


Top

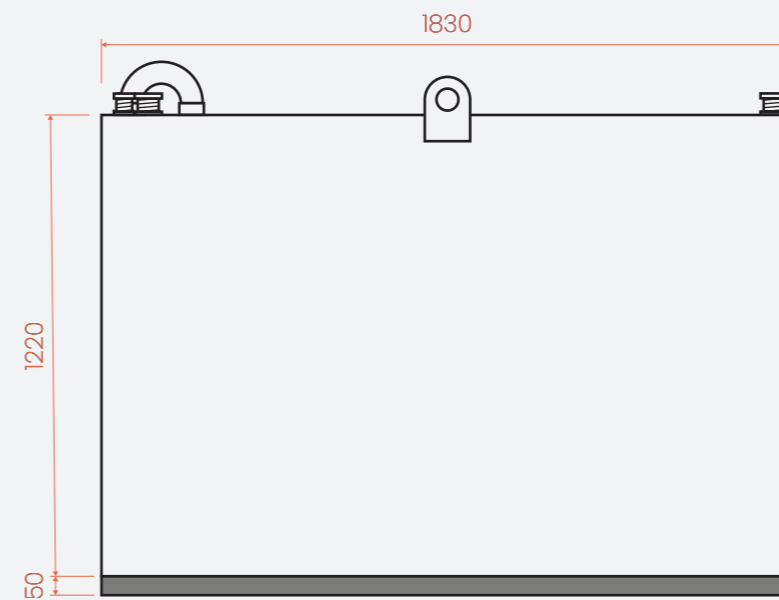


Right



Back

Front



Left

©Atlantis Tanks Group Ltd. 2019



Title
**2250 Litre Bunded Tank
 Plan and Elevations**

Scale
1:20

Drawing N°
BUS.2250.01

Revisions
 A - Annotation amended - 21/10/19