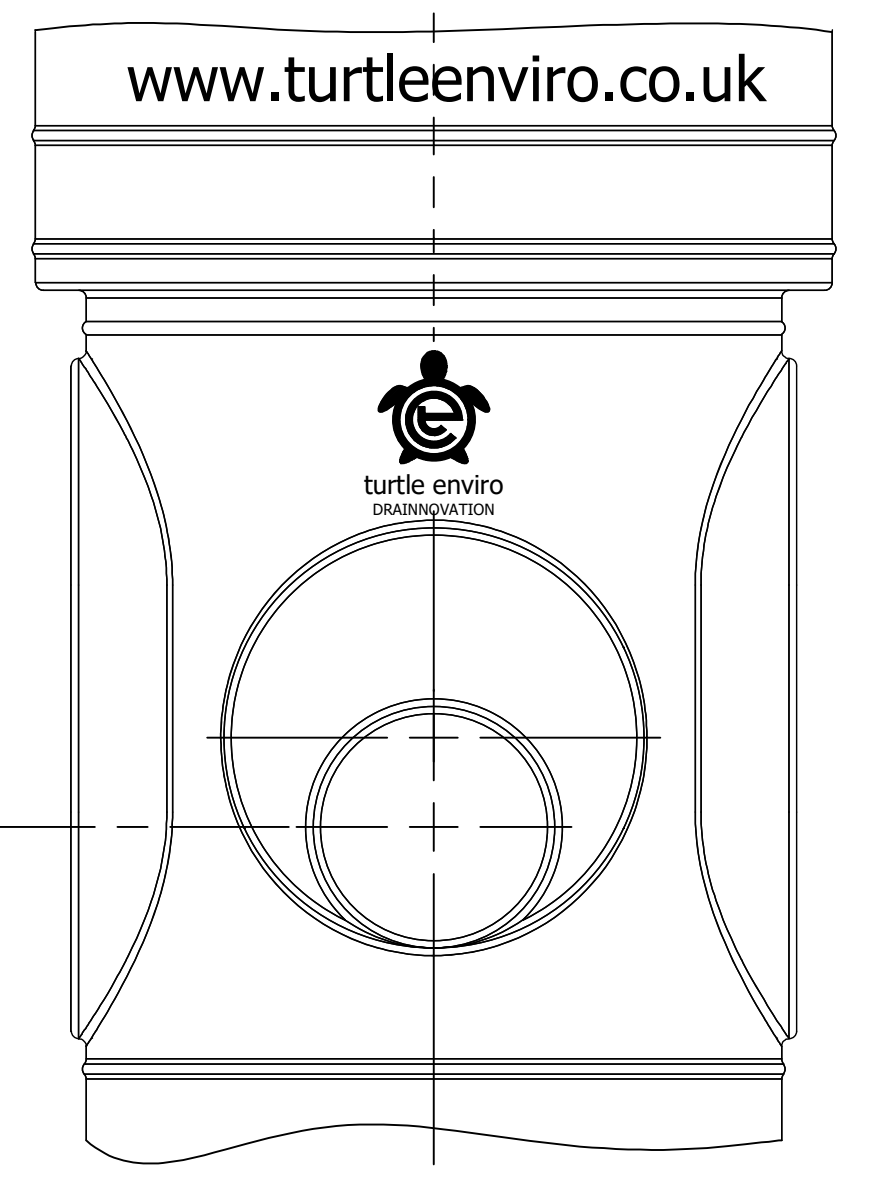
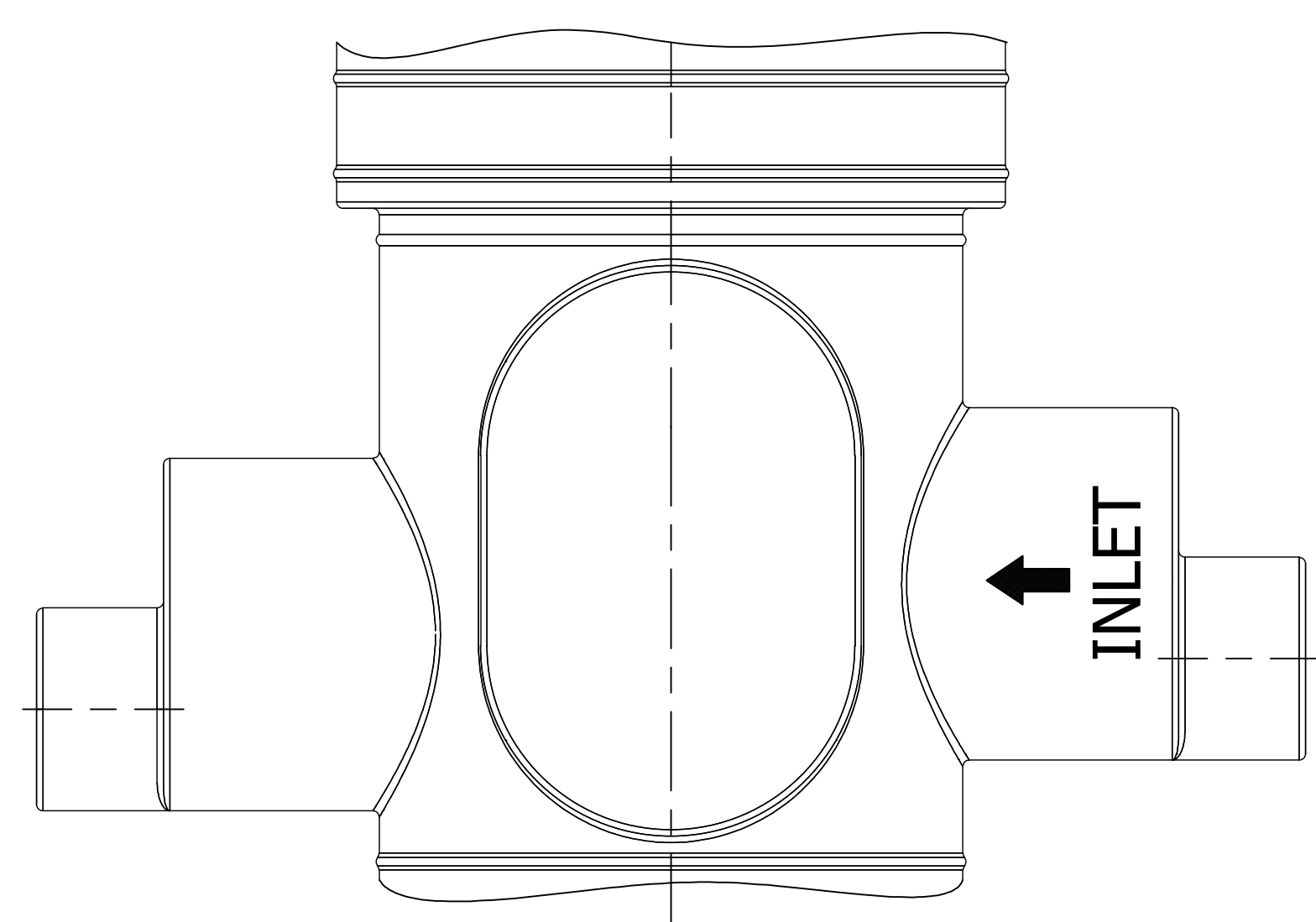


SECTION A-A
SCALE 1:5



DRAWN BY:-	R.U.	CONTRACT REFERENCE:-		N/A
DRAWN DATE:-	04/02/2020	PRODUCT DESCRIPTION		
		SILT SENTINEL 160 INLET/ 160 OUTLET		
APPROVED	D.A.	SIZE	PRODUCT CODE	REV
		A3	SS500160	2
		SCALE	1:5	SHEET 1 OF 1